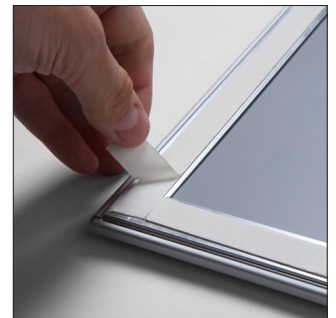
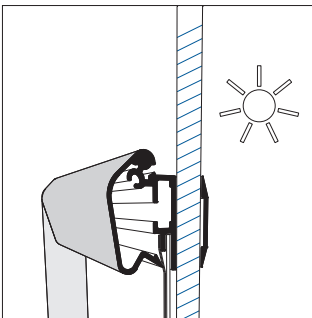
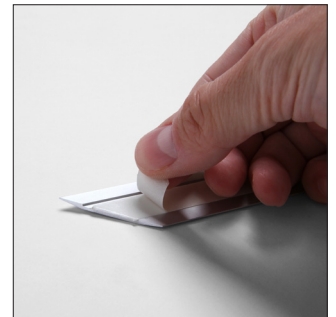


# PRODUCT SHEET

## Window Snap frame



### Window Snap frame

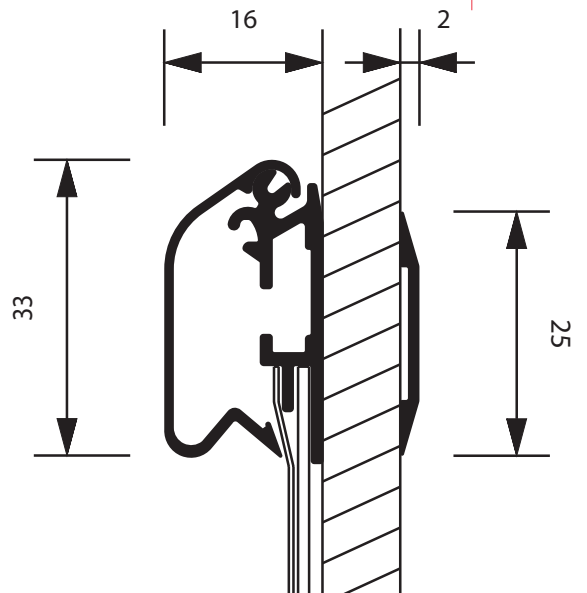
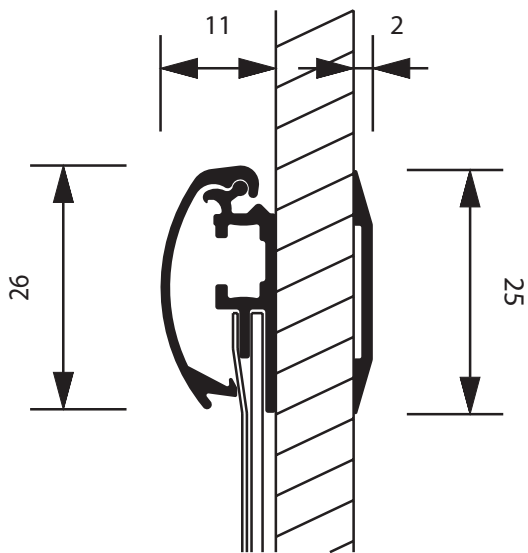
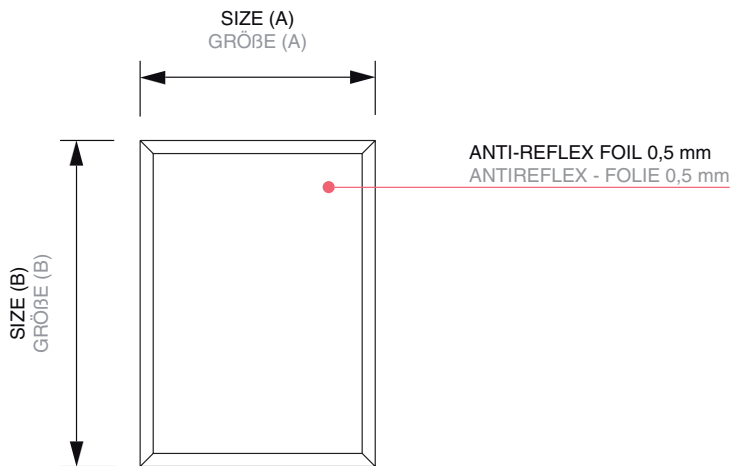
Available in 25 and 32mm wide profiles. Perfect for your advertising message as the posters are seen from both sides. Easy to install with preapplied adhesive tape. Complete with a fascia frame for mounting to the outside of the window.

### Fenster-Klapprahmen

In 25 und 32 mm Breite. Ideal für Schaufenster, da die Plakate beidseitig sichtbar sind. Einfache Befestigung auf der Fensterscheibe durch das bereits angebrachte Spezialklebeband. Mit Konterrahmen für die Außenseite.

# PRODUCT SHEET

## Window Snap frame



# PRODUCT SHEET

## Window Snap frame

ARTICLE CODE	EAN / GTIN	POSTER SIZE	VISIBLE SIZE	SIZE (A x B x C)	NET WEIGHT
ARTIKELCODE	EAN / GTIN	PLAKATFORMAT	SICHTMAB	GRÖÖE (A x B x C)	NETTO GEWICHT
<b>Profile 25mm</b> WKRA3G25	8595578302455	A3 (297 x 420 mm)	277 x 400 mm	328 x 451 x 11 mm	0,8 kg
WKRA2G25	8595578302462	A2 (420 x 594 mm)	400 x 574 mm	451 x 625 x 11 mm	1,2 kg
WKRA1G25	8595578302479	A1 (594 x 841 mm)	574 x 821 mm	625 x 872 x 11 mm	1,9 kg
WKRA0G25	8595578302486	A0 (841 x 1189 mm)	821 x 1169 mm	872 x 1220 x 11 mm	3,2 kg
WKR50x70G25	8595578302493	500 x 700 mm	480 x 680 mm	531 x 731 x 11 mm	1,6 kg
WKR70x100G25	8595578302509	700 x 1000 mm	680 x 980 mm	731 x 1031 x 11 mm	2,5 kg
<b>Profile 32mm</b> WKRA3G32	8595578302677	A3 (297 x 420 mm)	279 x 402 mm	342 x 465 x 16 mm	1,1 kg
WKRA2G32	8595578302684	A2 (420 x 594 mm)	402 x 576 mm	465 x 639 x 16 mm	1,6 kg
WKRA1G32	8595578302691	A1 (594 x 841 mm)	576 x 823 mm	639 x 886 x 16 mm	2,4 kg
WKRA0G25	8595578302707	A0 (841 x 1189 mm)	823 x 1171 mm	886 x 1234 x 16 mm	3,9 kg
WKR50x70G32	8595578302714	500 x 700 mm	482 x 682 mm	545 x 745 x 16 mm	2,0 kg
WKR70x100G32	8595578302721	700 x 1000 mm	682 x 982 mm	745 x 1045 x 16 mm	3,1 kg

ARTICLE CODE	PACKING SIZE	PACKING WEIGHT	PCS / PALLET	WEIGHT OF PALLET	VOLUMETRIC WEIGHT	BELT SIZE	SHIPPING
ARTIKELCODE	PACKUNGS-GRÖÖE	PACKUNGS-GEWICHT	STCK / PALETTE	PALETTEN-GEWICHT	VOLUMEN-GEWICHT	GÜRTEL	VERSANDART
WKRA3G25	337 x 460 x 20 mm	1,5 kg	508	544 kg	0,62 kg	1174 mm	UPS
WKRA2G25	460 x 634 x 20 mm	2,2 kg	250	425 kg	1,17 kg	1594 mm	UPS
WKRA1G25	634 x 881 x 20 mm	3,5 kg	135	372 kg	2,23 kg	2189 mm	UPS
WKRA0G25	881 x 1129 x 20 mm	6,0 kg	26	143 kg	3,98 kg	2931 mm	TOF
WKR50x70G25	540 x 740 x 20 mm	8,7 kg	194	406 kg	1,60 kg	1860 mm	UPS
WKR70x100G25	740 x 1040 x 20 mm	2,8 kg	100	358 kg	3,08 kg	2560 mm	TOF
WKRA3G32	352 x 475 x 30 mm	1,4 kg	332	474 kg	1,00 kg	1239 mm	UPS
WKRA2G32	475 x 649 x 30 mm	1,9 kg	176	362 kg	1,85 kg	1659 mm	UPS
WKRA1G32	649 x 896 x 30 mm	3,2 kg	100	342 kg	3,49 kg	2254 mm	UPS
WKRA0G25	896 x 1244 x 30 mm	5,5 kg	25	164 kg	6,69 kg	3096 mm	TOF
WKR50x70G32	555 x 755 x 30 mm	2,4 kg	146	374 kg	2,51 kg	1925 mm	UPS
WKR70x100G32	755 x 1055 x 30 mm	3,5 kg	68	261 kg	4,78 kg	2625 mm	TOF